

Procedure for Flushing the Heat Exchanger

NOTE This procedure is only intended for use by a qualified service professional or authorized Noritz Service Representative. Any unauthorized use of this procedure may result in voiding the Noritz America Limited Warranty. Contact Noritz America (1-866-766-7489) for additional support.

If the alarm code "C1#*" is flashing on the Remote Controller, it means there is Scale Build-up in the Heat Exchanger. To prevent damage to the Heat Exchanger from Scale Build-up, the Heat Exchanger needs to be flushed** to remove the Scale Build-up.

Damage to the Water Heater due to Scale Build-up is not covered by the Water Heater's warranty.

To clear the alarm code "C1#*", the Heat Exchanger must be flushed.

If the alarm code "C1#*" is displayed and flashing on the Remote Controller, contact Noritz America (1-866-766-7489).

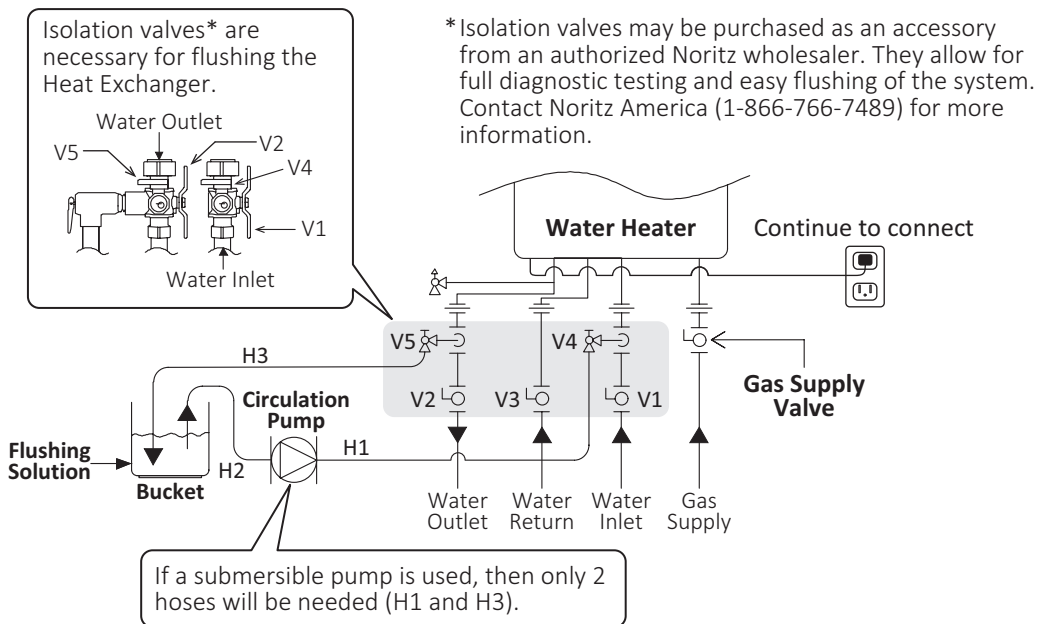
* Warning indication, # = 1-9

** Connect the blue connector marked "FLUSH" for flushing near the Circuit Board when flushing the Heat Exchanger. After connecting it, the Water Heater is set to "Flushing Mode".

NOTE The Water Heater must remain connected to the electrical power when flushing the Heat Exchanger.

The preparation of the flushing system

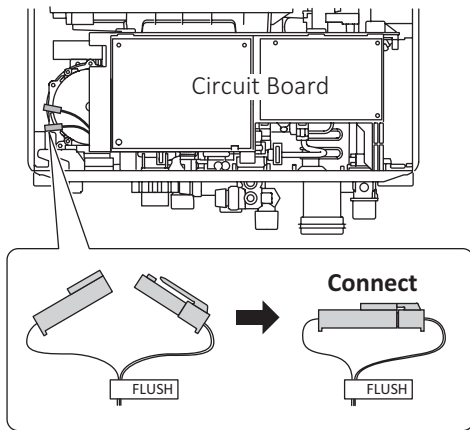
1. Close the gas supply valve.
2. Close the water inlet valve (V1), the water outlet valve (V2) and the water return valve (V3).
3. Connect the one drain hose (H1) to the drain valve (V4), and then the other to the circulation pump.
4. Connect the drain hose (H2) to the circulation pump.
5. Connect the drain hose (H3) to the drain valve (V5).
6. Pour 1 gallon of "Calcium, Lime and Rust Removal Product" and 1 gallon water into the bucket.
7. Place the both drain hoses (H2 and H3) into the bucket filled with the flushing solution.
8. Open the both drain valves (V4 and V5).



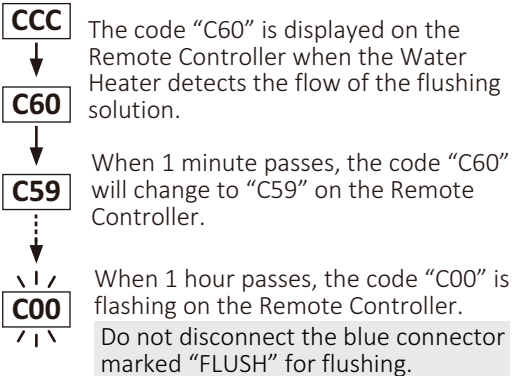
For Single Water Heater

[Procedure 1. Flushing the Heat Exchanger]

1. Open the front cover.
2. Connect the blue connector marked "FLUSH" for flushing near the Circuit Board.



3. Then the code **CCC** is displayed on the Remote Controller.
4. Turn on the circulation pump to circulate the flushing solution through the Water Heater for 1 hour at a rate of 1.5 GPM or more.



NOTE Check whether the reverse connection of the hose (H1) and (H3) if the display number will not change. In that case, the flow rate of the flushing solution may be under 1.5 GPM.

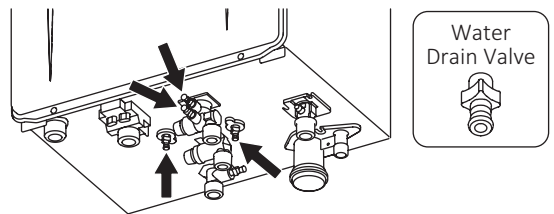
6. Turn off the circulation pump.

[Procedure 2. Cleaning the Heat Exchanger]

The flushing solution needs to be rinsed and cleaned out of the Water Heater.

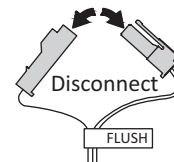
Below is the way to rinse and clean the flushing solution.

1. Remove both drain hoses (H2 and H3) from the bucket. And then place the drain hose (H3) into the sink or outside to drain.
2. Close the drain valve (V3) and then open the water inlet valve (V1). Do not open the fresh water outlet valve (V2).
3. Clean the Water Heater with fresh water for 3 minutes or more. (Needs to have enough time to clean the Water Heater.)



NOTE The Water Heater has four "Water Drain Valves" on the bottom of the Water Heater. Place a bucket under the Water Heater to drain water from the "Water Drain Valves". Carefully unscrew the "Water Drain Valves" to rinse flushing solution out of the Water Heater for about 10 seconds, then close the "Water Drain Valves".

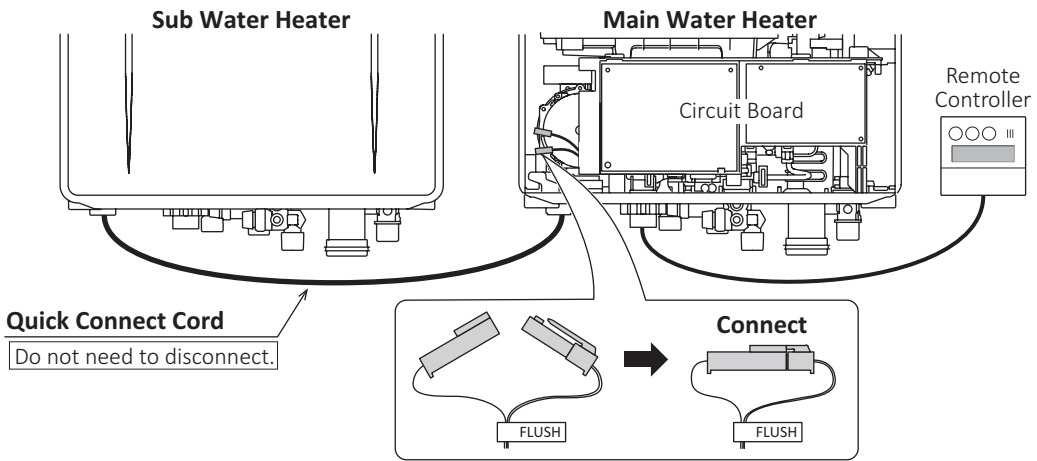
4. Close the drain valve (V4) and then remove the drain hose (H3) from the drain valve (V4).
5. Remove the drain hose (H1) from the drain valve (V3).
6. Disconnect the blue connector marked "FLUSH" for flushing. The code "C00" goes out on the Remote Controller.



7. Close the front cover.
8. Open the gas supply valve and water outlet valve (V2).
9. Check for correct operation of the Water Heater.

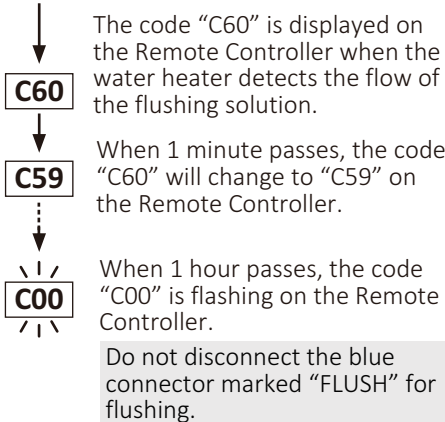
For Quick Connect Multi-System

1. Open the front covers.
2. Connect the blue connector marked "FLUSH" for Water Heater needing to be flushed.
(The Water Heater is isolated from Quick Connect Multi-system when the blue connector marked "FLUSH" for flushing is connected. Do not need to disconnect the Quick Connect Cord.)



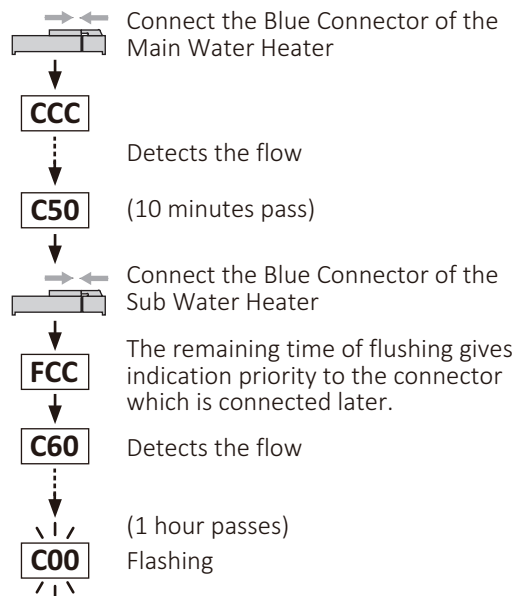
3. Then the code **CCC** or **FCC** is displayed on the Remote Controller.
 - "CCC" is displayed when the Blue Connector of the Main Water Heater is connected.
 - "FCC" is displayed when the Blue Connector of the Sub Water Heater is connected.
4. Turn on the circulation pump to circulate the flushing solution through the Water Heaters for 1 hour at a rate of 1.5 GPM or more.

CCC or **FCC**



NOTE Check whether the reverse connection of the hose (H1) and (H3) if the display number will not change. In that case, the flow rate of the flushing solution may be under 1.5 GPM.

(e.g. The display when the both Water Heaters are flushed at the same time)



6. Turn off the circulation pump.
7. Rinse and clean the flushing solution out of the Water Heaters in accordance with "For Single Water Heater [Procedure 2]". (See the "Procedure 2.1-2.5".)
8. Disconnect the blue connector marked "FLUSH" for flushing.
The Code "C00" goes out on the Remote Controller.
9. Close the front covers.
10. Open the gas supply valves and water outlet valves.
11. Check for correct operation of the Water Heaters.